

Spring-applied brake **INTORQ BFK458**

The versatile modular system
2 – 600 Nm



INTORQ

setting the standard

www.intorq.de



INTORQ BFK458 - The modular system

Our modular system forms the basis for a product range that offers versions tailored for almost any task. The BFK458 spring-applied brake, as a standard product, can be used anywhere, but its modular structure also meets the requirements of specific industries. Its strength lies in its versatility.

Electromagnetically released spring-applied brakes are used wherever masses in motion have to be decelerated as quickly as possible or where masses must be held in a defined position. The braking force is applied by compression springs. Thus the braking torque generated by friction locking remains available in the deenergised status – even in the event of mains failure. The brake is released electromagnetically.

The INTORQ BFK458 range replaces the 14.448/14.449 and 14.450 models of spring-applied brake. The main components of the new modular system are the two basic modules E (adjustable braking torque) and N (braking torque

not adjustable). The greatest degree of flexibility is achieved for a broad range of applications by the combination of the basic module with specific modules. This catalogue is intended to help you to select and to order the spring-applied brake you require quickly and easily.

The modular system for all applications

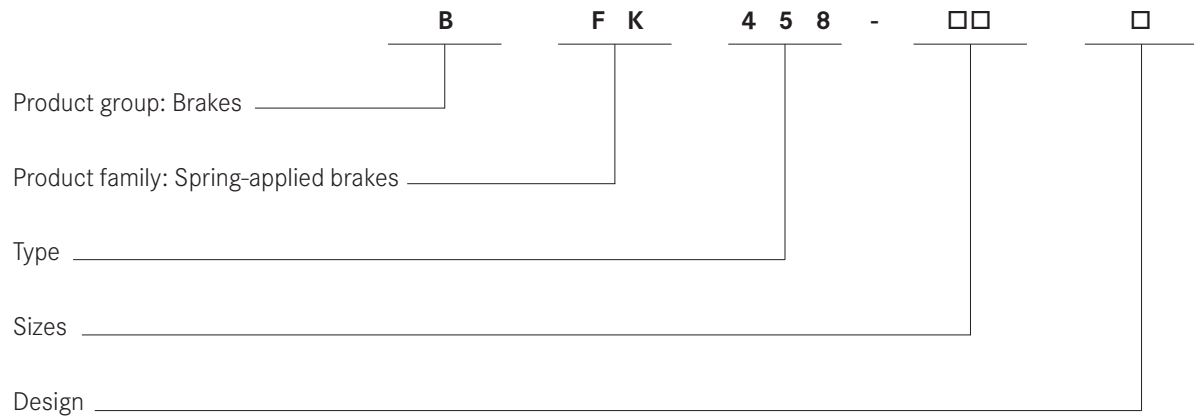
- Brake motors
- Cranes
- Storage technology
- Industrial trucks
- Wood working machines
- Stage machinery
- Vehicles for the disabled
- Automation technology
- Regulated drives
- Gate drives
- Escalators

Contents

Product key	4	Type code	21
List of abbreviations	5	Bridge rectifier and half-wave rectifier BEG	
Product information	6	Spark suppressor	21
Principle of operation	7	INTORQ 14.198.00.0□	
Example applications	8	Bridge rectifiers and half-wave rectifiers BEG	22
Technical data		Fastening options	25
Braking torques	9	Connection diagrams	26
E/N + basic module	10	Mains voltage selection table	27
Flange + manual release		Dimensioning	
Brake module N + centring flange	11	Basic information	28
Basic module N + Connection flange + basic module N	12	Calculation example	29
Rated data	13	Order form	30
Operating times	14	Sales and service around the world	32
Service life and wear	15		
Accessories			
Manual release/flange/friction plate	16		
Centring flange/connection flange/Seal	17		
Brake cover	18		
Microswitch	19		
Terminal box	20		



INTORQ BFK458-□□□ product key



Sizes

06, 08, 10, 12, 14, 16, 18, 20, 25

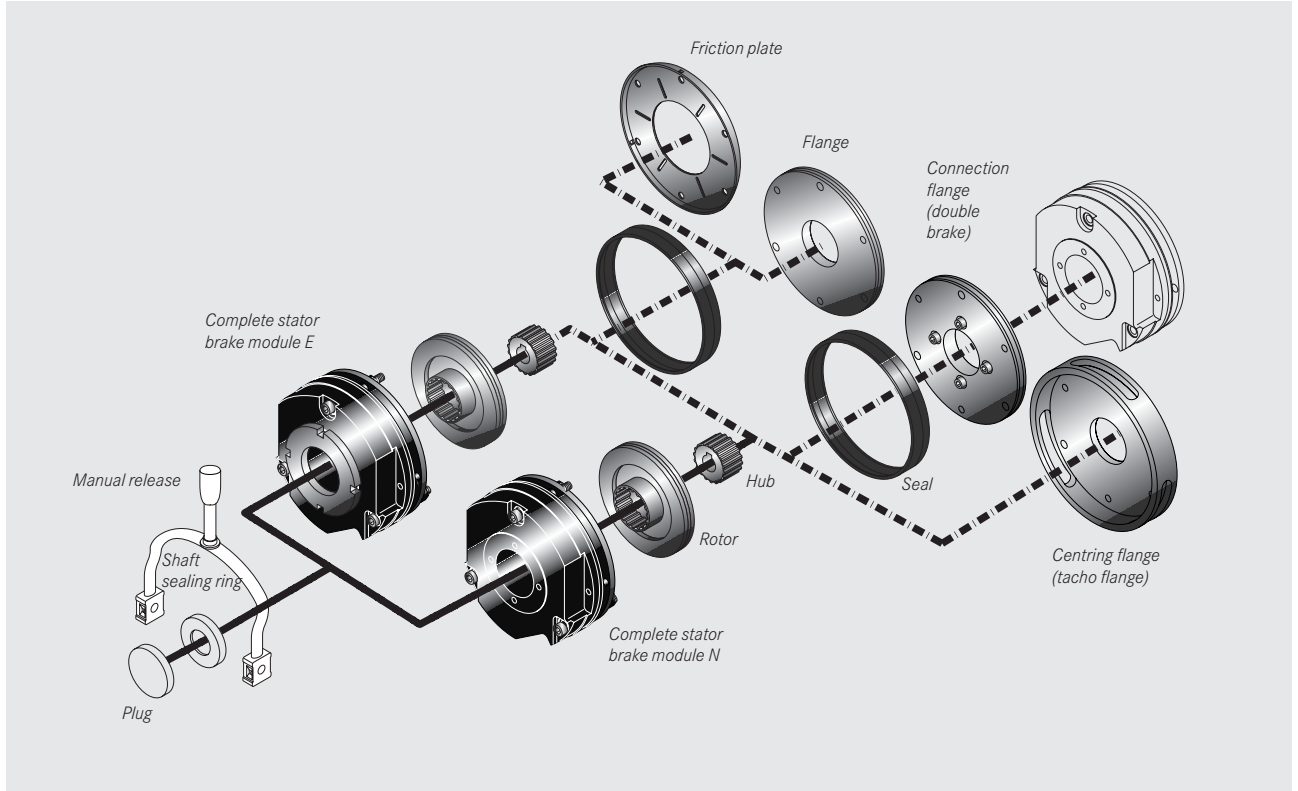
Not coded:

Supply voltage, hub bore,
Options

Stator design

E - Adjustable (braking torque can be reduced using torque adjustment ring)

N - Non-adjustable



List of abbreviations

P	[kW]	Drive power	K		Safety factor
M_K	[Nm]	Rated torque of brake	Q	[J]	Calculated friction energy per switching cycle
M_L	[Nm]	Load torque	Q_{zul}	[J]	Maximum permissible friction energy per switching cycle
M_{erf}	[Nm]	Required braking torque	S_h	[h ⁻¹]	Operating frequency, i.e. the number of periodical brake operations
M_a	[Nm]	Deceleration torque	S_{lū}		Rated air gap
Δn₀	[rpm]	Initial relative speed of the brake			
J_L	[kgm ²]	Moment of inertia of all driven parts, referred to the shaft to be braked			
t₁	[s]	Engagement time, $t_1 = t_{11} + t_{12}$			
t₂	[s]	Disengagement time (time from the beginning of the torque drop until 0.1 M _K is reached)			
t₃	[s]	Slipping time (time during which a relative motion occurs between the input and output, with brake applied)			
t₁₁	[s]	Delay time (time from disconnecting the voltage until the torque begins to rise)			
t₁₂	[s]	Rise time of braking torque			

Product information

INTORQ BFK458 spring-applied brake

A powerful and complete range

- 9 sizes
- Standard voltages 24 V, 96 V, 103 V, 170 V, 180 V, 190 V, 205 V
- Graduated torque range from 2 – 600 Nm
- Short delivery times for the complete range, thanks to optimised logistics
- IP54 enclosure, depending on the particular operating conditions
- CSA and UL over all sizes
- ATEX:
The product is suitable for use in potentially explosive atmospheres in zone II for stationary operation (holding or parking brake), explosion group II and temperature class T4.

Versatile

- Modular structure for virtually all applications
- Interchangeable with brake models 14.448 and 14.450

Torque transmission

- Designed for dry running

Ready for operation immediately

- Preset air gap, quick and easy mounting
- Special machining of the friction surfaces ensures that the rated torques are achieved after very few switching operations
- No fixed bearing is required on the brake

Durable

- The insulation system to temperature class F (155°C) ensures that the winding has a long service life
- These brakes are designed for 100% duty time (current applied to the brake)

Low maintenance

- Long rotor/hub connection with low rate of wear and a tried-and-tested involute gear
- Asbestos-free friction linings with low rate of wear
- Air gap must be checked as a function of the friction energy used

Reliable

- The quality assurance system is certified to ISO 9001 and ISO 14001 and provides the basis for consistently high-quality products
- Production and testing to VDE 0580

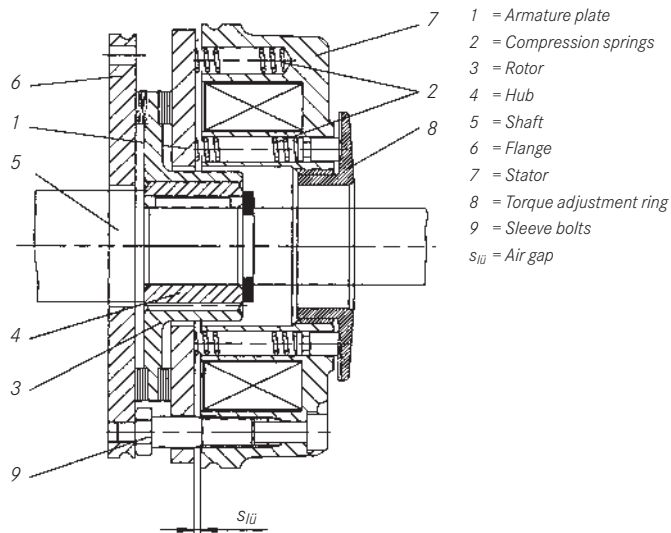
Options

- Manual release for all sizes, both directions can be used for release and mounting (one exception is the tachometer brake)
- Noise-reduced design
- Various types of corrosion protection and enclosures
- Microswitches used to monitor air gap and wear (size 12 and above)
- Monitoring of manual release function (page 19)
- Non-standard voltages and bores on request

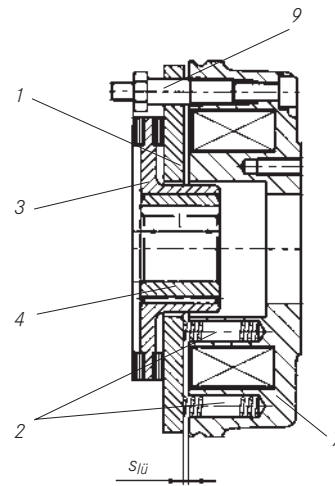
Principle of operation

INTORQ BFK458 spring-applied brake

Brake module E + rotor + hub + flange



Brake module N + rotor + hub



INTORQ BFK458 spring-applied brakes are single-disc brakes with two friction surfaces. When a de-energised, several compression springs are used to generate the braking torque through friction locking. The brake is released electromagnetically. During the braking procedure, the rotor (3), which can be shifted axially on the hub (4), is pressed against the counter friction face (6) via the armature plate (1), by means of the compression springs (2). When the brakes are applied, an air gap $s_{lü}$ is present between the armature plate and the stator (7). The stator's coil is energised with DC voltage in order to release the brake.

The resulting magnetic flux works against the spring force to draw the armature plate to the stator. This releases the rotor from the spring force and allows it to rotate freely. Brake module E supports the use of the torque adjustment ring (8) to reduce the braking torque.

Example applications

INTORQ BFK458 spring-applied brake



Curtain up for INTORQ brakes

A silenced version of the double spring-applied brake is used in the theatre as a redundant braking system.



INTORQ opens and closes gates and doors

Spring-applied brakes with manual release monitoring via microswitches and electromagnetic clutches ensure safe operation of door drives and automatic doors.



Rotate, lift, move – whenever cranes are in motion, INTORQ spring-applied brakes are never far away

Corrosion resistant designs and various sealing variants for spring-applied brakes in cranes.

Technical data

Braking torques

Depending on the individual application, the graduated torques listed in the tables below are available. A pole shim (brass film) must be placed between the stator and the

armature plate if you want to achieve short operating times with low torques.

Size	06	08	10	12	14	16	18	20	25
Characteristic torques [Nm], related to the relative speed $\Delta n = 100$ rpm								80 E	
	1.5 E	3.5 N/E			25 N/E	35 N/E	65 N/E	115 N/E	175 N/E
	2 N/E	4 E	7 N/E	14 N/E	35 N	45 N/E	80 N/E	145 N/E	220 N
	2.5 N/E	5 N/E	9 N/E	18 N/E	40 N/E	55 N/E	100 N/E	170 N/E	265 N/E
	3 N/E	6 N/E	11 N/E	23 N/E	45 N/E	60 N/E	115 N/E	200 N/E	300 N/E
	3.5 N/E	7 N/E	14 N/E	27 N/E	55 N/E	70 N/E	130 N/E	230 N/E	350 N/E
	4 N/E	8 N/E	16 N/E	32 N/E	60 N/E	80 N/E	150 N/E	260 N/E	400 N/E
	4.5 N/E	9 N/E	18 N/E	36 N/E	65 N/E	90 N/E	165 N/E	290 N/E	445 N/E
	5 E	10 E	20 E	40 E	75 N/E	100 N/E	185 N/E	315 N/E	490 N/E
	5.5 E	11 E	23 N/E	46 N/E	80 N/E	105 N/E	200 N/E	345 N/E	530 N/E
	6 N/E	12 N/E				125 N/E	235 N/E	400 N/E	600 N/E

- N ... Braking torque for design N (without torque adjustment ring)
- E ... Braking torque for design E (with torque adjustment ring)

Holding brake with emergency stop
($s_{i\ddot{u}max}$ approximately $1.5 \times s_{i\ddot{u}}$)

Service brake
($s_{i\ddot{u}max}$ approximately $2.5 \times s_{i\ddot{u}}$)

Standard braking torque

Brake module E, reduced braking torque

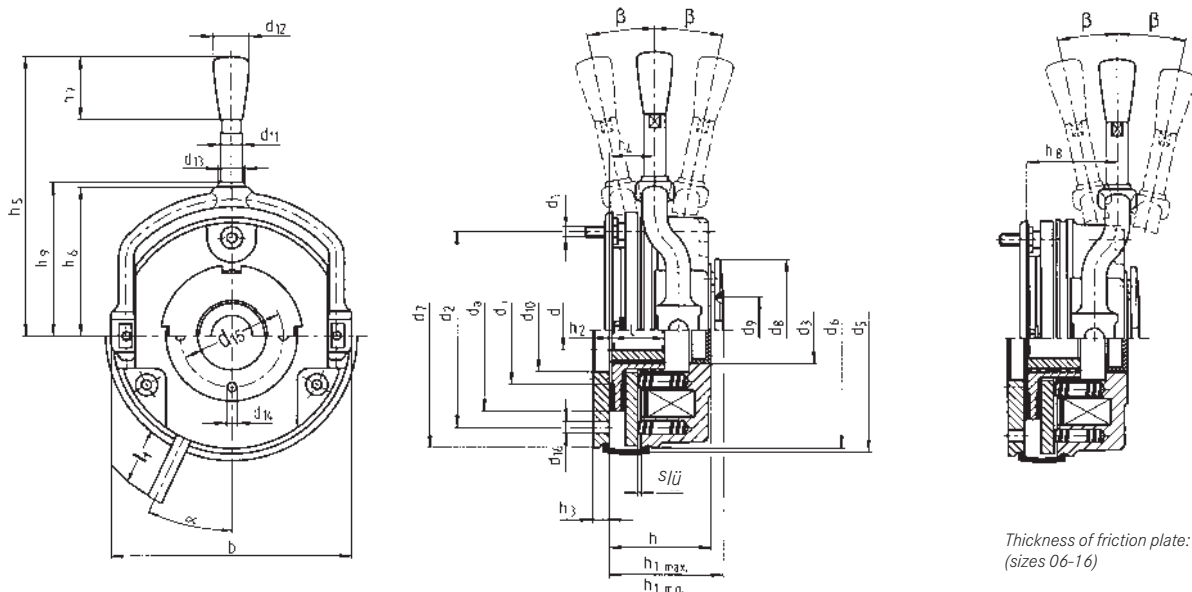
The braking torque on brake module E can be reduced using the torque adjustment ring located in the stator. The torque adjustment ring can be unscrewed to a maximum dimension of h_{1max} (see table on page 10).

It should be noted that the engagement and disengagement times change in accordance with the braking torque. Torque reduction is independent of the rated torque used.

Size	06	08	10	12	14	16	18	20	25
Torque reduction per detent position [Nm]	0.2	0.35	0.8	1.3	1.7	1.6	3.6	5.6	6.2

Technical data

Brake module E/N + flange + manual release



Thickness of friction plate: 1.5 mm (sizes 06-16)

Size	b	d ¹⁾ spec.	d ^{H7 2)} standard	d ₁	d ₂	d ₃ ^{H7}	d ₅	d _{6j7}	d ₇	d ₈	d ₉ ^{H8}	d ₁₀	d ₁₁	d ₁₂	d ₁₃	d ₁₄ ³⁾	d ₁₅ ³⁾	d ₁₆	d _i	d _a
06	88	10	10/11/12/14/15	3xM4	72	25	91	87	87	52	24	31	8	13	9.6	4xM4	37.7	3x4.5	40	60
08	106.5	10	11/12/14/15/20	3xM5	90	32	109	105	105	60	26	41	8	13	9.6	4xM5	49	3x5.5	47	77
10	132	10	11/12/14/15/20	3xM6	112	42	134	130	130	68	35	45	10	13	12	4xM5	54	3x6.6	66	95
12	152	14	20/25	3xM6	132	50	155	150	150	82	40	52	10	13	12	4xM5	64	3x6.6	70	115
14	169	14	20/25/30	3xM8	145	60	169	165	165	92	52	55	12	24	14	4xM6	75	3x9	80	124
16	194.5	15	25/30/35/38*	3xM8	170	68	195	190	190	102	52	70	12	24	14	4xM6	85	3x9	104	149
18	222	20	30/35/40/45	6xM8	196	75	222	217	217	116	62	77	14	24	15.5	4xM8	95	4x9 ⁴⁾	129	174
20	258	25	35/40/45/50	6xM10	230	85	259	254	254	135	72	90	14	24	16.5	4xM10	110	4x11 ⁴⁾	148	206
25	302	30	40/45/50/55/60/65/70*	6xM10	278	115	307	302	302	165	85	120	16	24	18.4	4xM10	140	6x11	199	254

- 1) pre-drilled without keyway
- 2) Standard keyway in accordance with DIN 6885/1 P9, selection of the shaft diameter depending on the type of loading (see Operating Instructions)
- * Ø 38 and Ø 70 mm, keyway in accordance with DIN 6885/3 P9
- 3) Bores are made on customer request for sizes 06-12
- 4) The thread in the mounting surface is offset by 30° in relation to the centre axle of the manual release lever
- Dimensions in mm

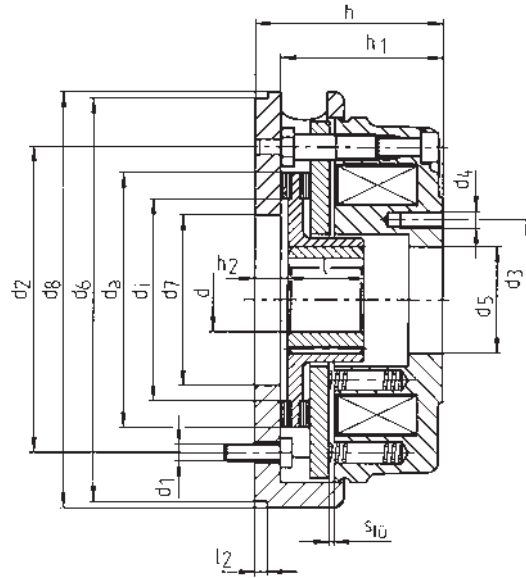
Size	h	h ₁ min.	h ₁ max.	h ₂	h ₃	h ₄	h ₅ standard	h ₅ ⁷⁾ max.	h ₆	h ₇	h ₈	h ₉	l	l ₁ ⁵⁾	s _ü ³⁾	α	β ⁶⁾
06	36.3	39.3	43.25	1	6	15.8	107	-	54.5	23	32.8	56.3	18	400	0.2	25°	12°
08	42.8	46.8	50.8	1.5	7	16.3	116	-	63	23	41.3	65	20	400	0.2	25°	10°
10	48.4	52.4	55.9	2	9	27.4	132	-	73.8	23	42.4	77.8	20	400	0.2	25°	9°
12	54.9	58.9	67.53	2	9	29.4	161	-	85	23	47.4	88.5	25	400	0.3	25°	10°
14	66.3	71.3	77.3	2	11	33	195	-	98	32	50	101.5	30	400	0.3	25°	9°
16	72.5	77.5	85.5	2.25	11	37.5	240	-	113	32	53.5	116	30	600	0.3	25°	10°
18	83.1	89.1	97.09	2.75	11	41.1	279	394	124	32	59.1	128.5	35	600	0.4	25°	9°
20	97.6	104.6	114.6	3.5	11	47.6	319	416	146	32	68.6	149.5	40	600	0.4	25°	10°
25	106.7	115.7	127.7	4.5	12.5	57.7	445	501	170	32	88.7	175.5	50	600	0.5	25°	10°

- 5) Length of the connecting cable
- 6) Manual release angle tolerance +3°
- 7) Recommended lever length for 1.5 M_k
- Recommended ISO shaft tolerances: up to Ø 50 mm = k6 over 50 mm = m6

Technical data

Brake module N + centring flange

Brake suitable for mounting a speed or angle sensor



Size	h	h ₁	h ₂	d ^{H7 max.}	d ₁ ¹⁾	d ₂	d ₃	d ₄ ⁵⁾	d ₅ ^{H7}	d ₆ ^{H7}	d ₇ ^{H7}	d ₈	d _i	d _a	l	l ₁ ²⁾	l ₂	s _{1ü}
06	42.3	36.3	7	15	3xM4	72	37.7	4xM4	25	95	40	98	40	60	18	400	2	0.2
08	49.8	42.8	8.5	20	3xM5	90	49	4xM5	32	115	50	116	47	77	20	400	2	0.2
10	57.4	48.4	11	20	3xM6	112	54	4xM5	42	140	60	141	66	95	20	400	2	0.2
12	63.9	54.9	11	25	3xM6	132	64	4xM5	50	162	60	165	70	115	25	400	2	0.3
14	76.5	65.5	13	30	3xM8	145	75	4xM6	60	177	80	181	80	124	30	400	2	0.3
16	83.5	72.5	13.25	38 ⁴⁾	3xM8	170	85	4xM6	68	204	85	206	104	149	30	600	2	0.3
18	94.1	83.1	13.75	45	6xM8	196	95	4xM8	75	233	90	237	129	174	35	600	2	0.4
20	108.6	97.6	14.5	50	6xM10	230	110	4xM10	85	271	90	274	148	206	40	600	2	0.4
25	118.2	106.7	17	70 ⁴⁾	6xM10	278	140	4xM10	115	322	120	324	199	254	50	600	2	0.5

■ ¹⁾ Use DIN 6912 fixing screws

■ ²⁾ Cable length

■ ³⁾ Manual release can be mounted as an option, as shown on right of page 10

■ ⁴⁾ Keyway in accordance with DIN 6885/3-P9

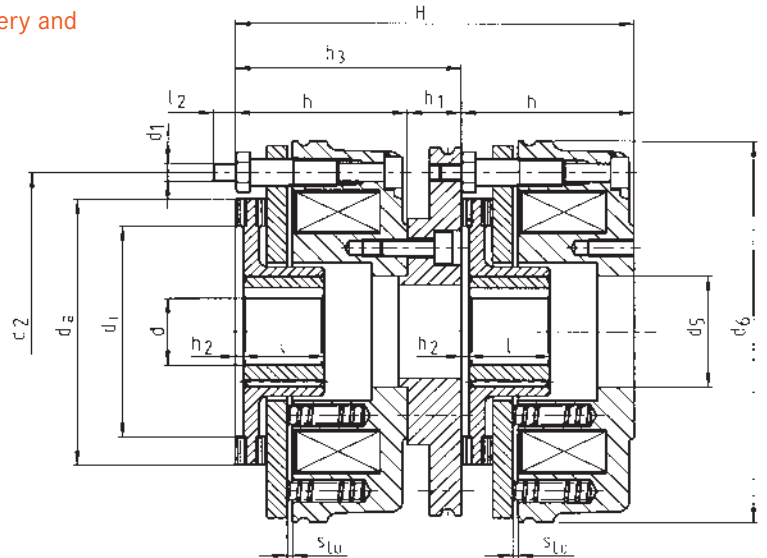
■ ⁵⁾ Bores are made on customer request for sizes 06-12

■ Dimensions in mm

Technical data

Brake module N + connection flange + brake module N

Double brake (double braking torque) as redundant braking system, suitable for use in stage machinery and many other areas of application



Size	d ^{H7} max.	d ₁	d ₂	d ₅ ^{H7}	d _{6j7}	d _i	d _a	H	h	h ₁	h ₂	h ₃	l	l ₁ ¹⁾	l ₂	s _{Lu}
06	15	3xM4	72	25	87	40	60	84.6	36.3	12	1	48.3	18	400	8.7	0.2
08	20	3xM5	90	32	105	47	77	97.6	42.8	12	1.5	54.8	20	400	9.8	0.2
10	20	3xM6	112	42	130	66	95	109.8	48.4	13	2	61.4	20	400	12.7	0.2
12	25	3xM6	132	50	150	70	115	125.8	54.9	16	2	70.9	25	400	13.1	0.3
14	30	3xM8	145	60	165	80	124	148	65.5	17	2	82.5	30	400	13.1	0.3
16	38 ²⁾	3xM8	170	68	190	104	149	165	72.5	20	2.25	92.5	30	600	16.4	0.3
18	45	6xM8	196	75	217	129	174	186.2	83.1	20	2.75	103.1	35	600	17.5	0.4
20	50	6xM10	230	85	254	148	206	215.2	97.6	20	3.5	117.6	40	600	17.8	0.4
25	70	6xM10	278	115	302	199	254	238.4	106.7	25	4.5	130.7	50	600	21.5	0.5

■ ¹⁾ Cable length

■ ²⁾ Keyway in accordance with DIN 6885/3-P9

■ Manual release as an option

■ Dimensions in mm

Noise-reduced designs

The noise reduction required in many applications can be achieved in two ways:

1. Impact-noise-reduced armature plate

The brake's operating noise can be minimised using special damping elements, which are installed between the pole face and the armature plate as shock absorbers.

2. Noise-reduced aluminium rotor

Rattling noises, which can occur in the rotor/hub connection, for example, during frequency inverter operation, or as a result of load alternation, or non-constant speeds, are reduced by using a rotor with a plastic sleeve.



Technical data

Rated data

Size	P ¹⁾ [20 °C]	S _{ju} max service brake	S _{ju} max holding brake	max. adjustment	min. ²⁾ rotor thickness	J _{plastic rotor}	J _{aluminium rotor}	Mass of stator assy [kg]
	[W]	[mm]	[mm]	[mm]	[mm]	[kgcm ²]	[kgcm ²]	
06	20	0.5	0.3	1.5	4.5	0.11	0.15	0.75
08	25	0.5	0.3	1.5	5.5	0.34	0.61	1.2
10	30	0.5	0.3	1.5	7.5	-	2.0	2.1
12	40	0.75	0.45	2.0	8.0	-	4.5	3.5
14	50	0.75	0.45	2.5	7.5	-	6.3	5.2
16	55	0.75	0.45	3.5	8.0	-	15	7.9
18	85	1.0	0.6	3.0	10.0	-	29	12
20	100	1.0	0.6	4.0	12.0	-	73	19.3
25	110	1.25	0.75	4.5	15.5	-	200	29.1

■ ¹⁾ Coil power at 20 °C in W, possible deviation up to +10%, depending on supply voltage selected

■ ²⁾ The friction lining is dimensioned so that the brake can be readjusted at least five times.

Braking torques, depending on speed and permissible limit speeds

Size	Average braking torque on braking off Δn_0 to a standstill [%]	braking torque at Δn_0 [rpm] [%]			max. speed Δn_{0max} [rpm]
		1500	3000	max.	
06	100	87	80	65	12400
08	100	85	78	66	10100
10	100	83	76	66	8300
12	100	81	74	66	6700
14	100	80	73	67	6000
16	100	79	72	66	5300
18	100	77	70	66	4400
20	100	75	68	66	3700
25	100	73	66	66	3000

As speed increases, so does wear.

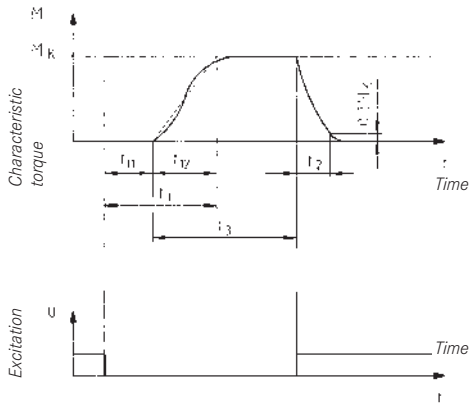
Technical data

Operating times

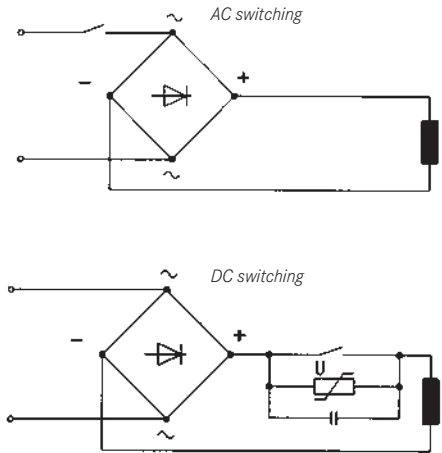
The listed operating times apply to DC switching with rated air gap $s_{iü}$ and a warm coil. The times are mean values which may vary depending on the method of rectification

and the air gap $s_{iü}$. The engagement time t_1 is approximately 10 times higher for AC switching than for DC switching.

Torque time characteristic, dependent on excitation voltage



- t_{11} = Delay time
- t_{12} = Rise time of braking torque
- t_1 = Engagement time
- t_2 = Disengagement time
- t_3 = Slipping time



Size	Braking torque rating at $\Delta n = 100$ rpm $M_K^{1)}$ [Nm]	Maximum permissible switching energy at single switching operation Q_E [J]	Transitional-switching frequency $S_{hü}$ [h ⁻¹]	Switching times [ms] ²⁾ at $s_{iüRated}$			
				Connection on the DC side			Disconnect t_2
				t_{11}	t_{12}	t_1	
06	4	3000	79	15	13	28	45
08	8	7500	50	15	16	31	57
10	16	12000	40	28	19	47	76
12	32	24000	30	28	25	53	115
14	60	30000	28	17	25	42	210
16	80	36000	27	27	30	57	220
18	150	60000	20	33	45	78	270
20	260	80000	19	65	100	165	340
25	400	120000	15	110	120	230	390

¹⁾ Minimum braking torque for run-in friction pairs

²⁾ Operating times valid for 205 V DC coils

Technical data

Service life and wear

The brake has to be adjusted when $s_{\text{li}\ddot{u}\text{max}}$ is reached. The friction energy to be withstood up to this point is dependent on a number of factors: in particular, the inertias to be braked, the braking speed, the operating frequency and the resulting temperature on the friction surfaces. For this reason, no universal value for all operating conditions can be given in respect of the amount of friction energy that can be handled before adjustment is required.

In addition, increased wear should be expected with vertical mounting.

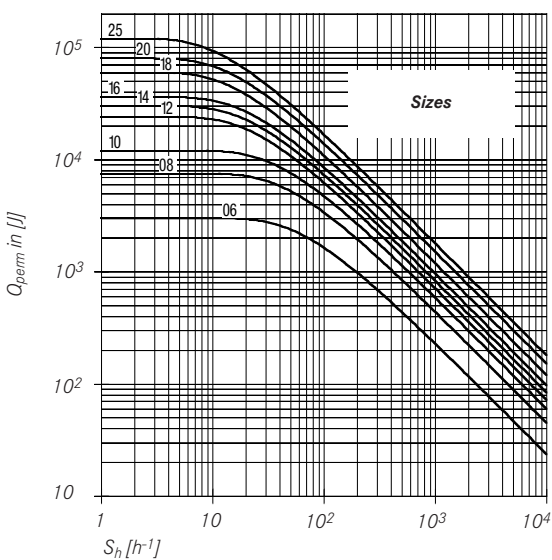
The BFK458 can be adjusted when the maximum permissible working air gap is reached ($s_{\text{li}\ddot{u}\text{max}}$). The dimensioning of the friction lining allows adjustment to be carried out at least five times.

Where the amount of friction energy per switching operation is low, the brake's mechanical components can impose limitations in terms of service life. In particular, the rotor/hub connection, springs, armature plate and sleeves are subject to operational wear. The expected service life of the standard design is around 1 million load alternations. Solutions that are optimised in terms of service life are available in cases where a longer service life is required (consult the manufacturer).

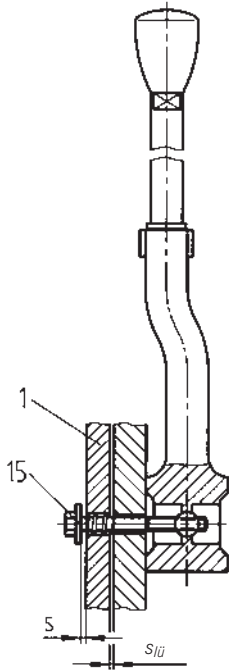
Maintenance

Brakes are components which are subject to a great deal of wear. When installing the brake, it must be ensured that it can be easily accessed for inspection and maintenance purposes. Intervals between inspections should be set in accordance with the expected service life and load. For more information, please see the Operating Instructions.

Permissible friction energy Q_{zul} depending on operating frequency S_h



Accessories



Manual release

Manual release

The manual release is used to release the brake by hand and can be retrofitted. The manual release springs back to its base position (0 setting) automatically after operation. The release screws are carried in ball joints and are only tensioned. The air gap "s" is the distance between the armature plate (1) and the washer (15). The dimension "s" must be maintained when installing the manual release.

Size	$s_{ij} + 0.1$	$s + 0.1$
	[mm]	[mm]
06 08 10	0.2	1
12 14 16	0.3	1.5
18 20	0.4	2
25	0.5	2.5

Flange

A flange can be used if no suitable counter friction face is available. The flange can also be fitted with the seal.



Flange



Friction plate
(sizes 06 – 16)

Friction plate

A friction plate may be supplied for sizes 06 up to and including 16. This should be used if the counter face is smooth and machined, but is not suitable as a friction surface. Combination with a cover ring is provided.

Accessories



Centring flange



Connection flange



Seal

Centring flange (tacho brake)

Brake module N combined with a centring flange is suitable for mounting a tachogenerator.

Connection flange (double brake)

The connection flange can be used to adapt a second brake module to brake module N; the resulting double brake is suitable for use in stage machinery or other applications with increased safety requirements.

Seal

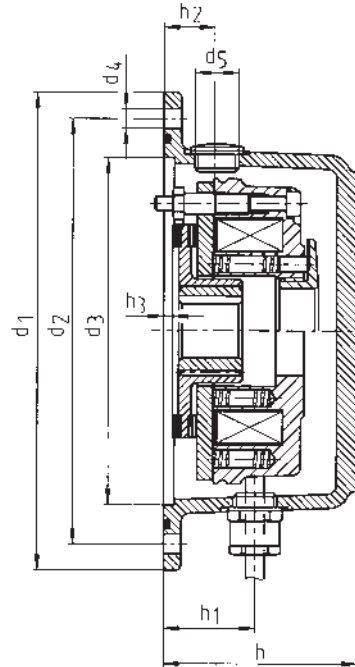
To a large extent, the seal prevents the exit or ingress of dust, humidity, dirt, etc., out of or into the braking area. The seal is inserted into the groove on the stator. If no suitable groove is available on the counter friction face, we recommend the use of a flange.

Accessories

Brake cover

Brake module E, N + cover = encapsulated design

A cover can be mounted onto brake module E and brake module N as an option, to protect the brake from water and dust (enclosure to IP 65). This design is not available in conjunction with manual release.



Size	d ₁	d ₂	d ₃ ^{H8}	d ₄	d ₅	h	h ₁	h ₂	h ₃ ¹⁾
06	135	120	98	4x5.5	M16x1.5	55	28	16.5	3
08	155	142	118	4x5.5	M20x1.5	61	34	20	3
10	185	166	143	4x5.5	M20x1.5	72	39	21	3
12	205	192	163	4x6.6	M20x1.5	82	42	23	3
14	225	212	183	4x6.6	M20x1.5	92	51	24	3
16	250	236	208	4x6.6	M20x1.5	98	52	25	3
18	285	268	238	4x6.6	M20x1.5	115	60	29	3
20	330	314	283	4x9	M20x1.5	131	69	35	3
25	390	368	328	4x9	M20x1.5	142	78	40	3

1) Recommended recess length on motor endshield

Accessories

Microswitch

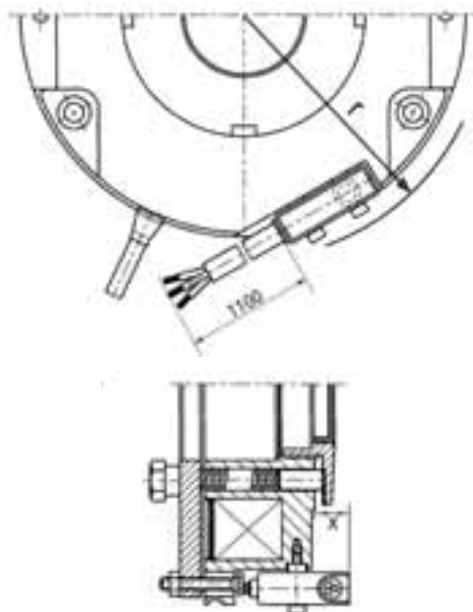
The brake can be fitted with a microswitch for the purpose of monitoring the release or wear. The microswitch can be built into the circuit as an NC contact or an NO contact.

Dimensions

Size	12	14	16	18	20	25
Dimension x	13	11.5	11	7	*	*
Overall radius r	80.5	88.5	99	112.5	*	155

- * no projection
- Dimensions in mm

Mounting the microswitch onto brake module E



Microswitch for manual release monitoring

Gate drives, for instance, are provided with brakes with manual release, and a microswitch for monitoring the manual release. In this case, the manual release must make it possible to move the gate to the desired position in manual operation, e.g. using a crank. This manual operation has to be detected via a microswitch, whose switching signal must be combined with the motor control, so that the motor can be prevented from starting (thus also preventing any possible injury to the operator). The microswitch for manual release monitoring is a built-on option.

The fixing bracket is screwed onto the magnet housing or stator via the bores on the rear face. The fixing bracket enables a microswitch to be fastened to it. The two directions of release, towards and away from the motor, can be implemented by using different fixing brackets and microswitch settings.

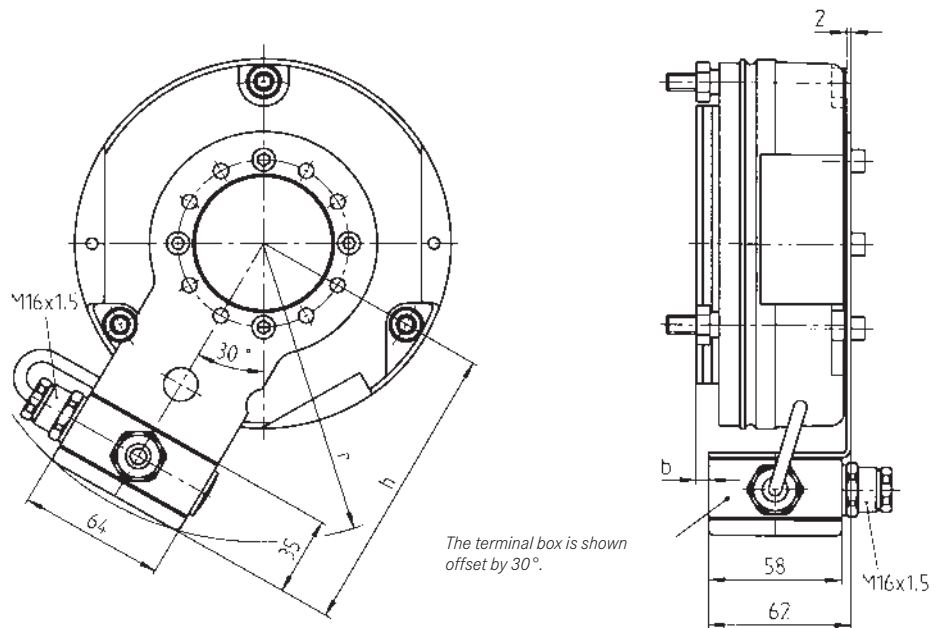


Accessories

Terminal box

The connecting cables can easily be integrated into higher-level controls via the terminal box (brake sizes 12-25) in order to support different wiring options (three inputs/outputs). 2/4-pole terminal strips, half-wave and bridge rectifiers and a microswitch connection can be integrated into the terminal box.

The terminal box is mounted onto the spring-applied brake using a fixing bracket and screws, as shown in the illustration. You can select the mounting angle according to your requirements by using the assembly kit.



Size	12	14	16	18	20	25
b	-5	5.5	12.5	23	37.5	45.5
h	122	130	142	155	174	198
r	126	134	146	158.5	177	201

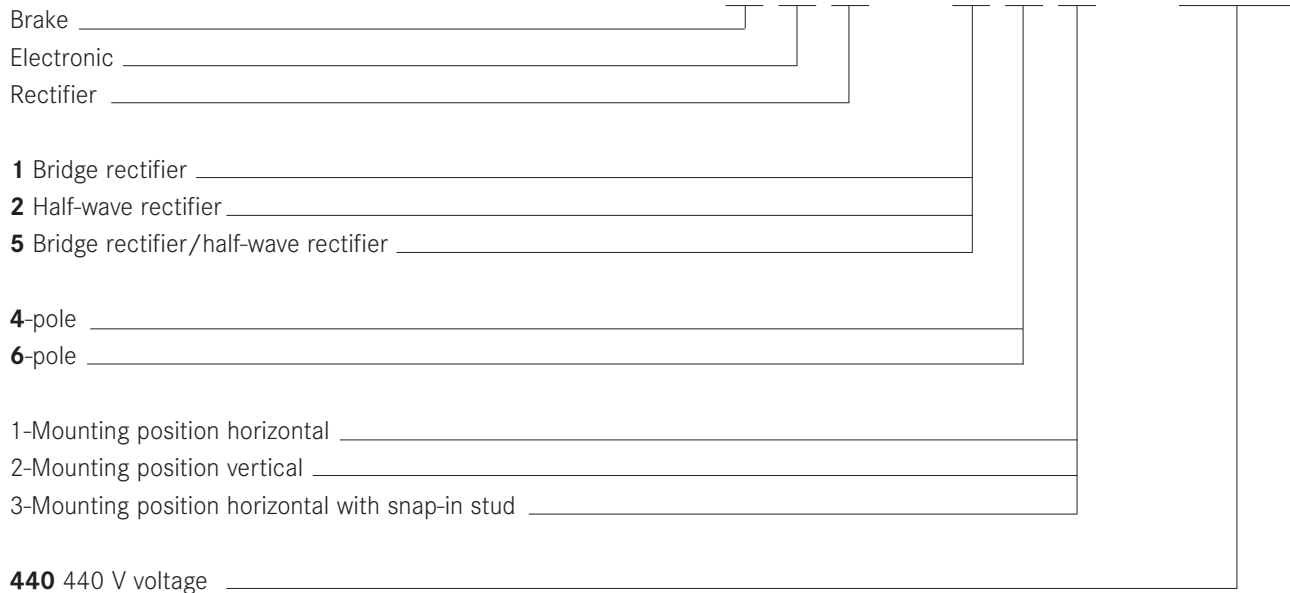
■ Dimensions in mm

Accessories

Bridge rectifiers and half-wave rectifiers

Type code

B E G - 5 6 1 - 440



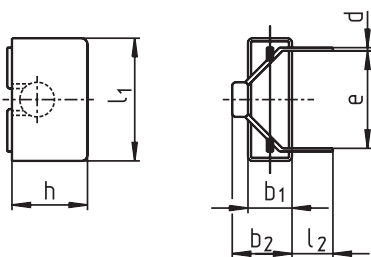
INTORQ 14.198.00.0□ universal spark suppressor

The universal spark suppressor limits the induced voltage arising when inductive direct current consumers are switched off on the DC side. These induced voltages can damage coils and switches. VDE 0580 therefore requires that, in order to avoid impermissibly

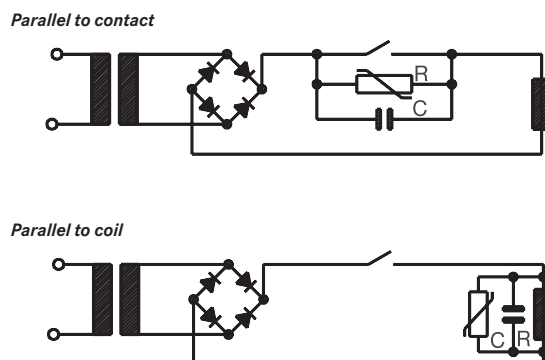
high switch off voltages and overvoltages, suitable protective measures must be provided by the user. The universal spark suppressor is available in 4 versions for the following voltage ranges:

INTORQ	Coil voltage	Max. mains voltage	Max. coil power	Capacitor voltage	b ₁	b ₂ approx.	d	e approx.	h	l ₁	l ₂ approx.	m [g]
14.198.00.01	24 V - 50 V	60 V~	110 W	250 V-	8.5	12.5	0.7	22.5	18.5	26.5	25	7
14.198.00.02	50 V - 120 V	250 V~	110 W	630 V-	15	21	0.7	37.5	26	41.5	20	22
14.198.00.03	120 V - 200 V	400 V~	110 W	1000 V-	13	20	0.7	37.5	24	41.5	15	17
14.198.00.04	200 V - 250 V	555 V~	110 W	1000 V-	13	20	0.7	37.5	24	41.5	15	10

Dimensions



Wiring example

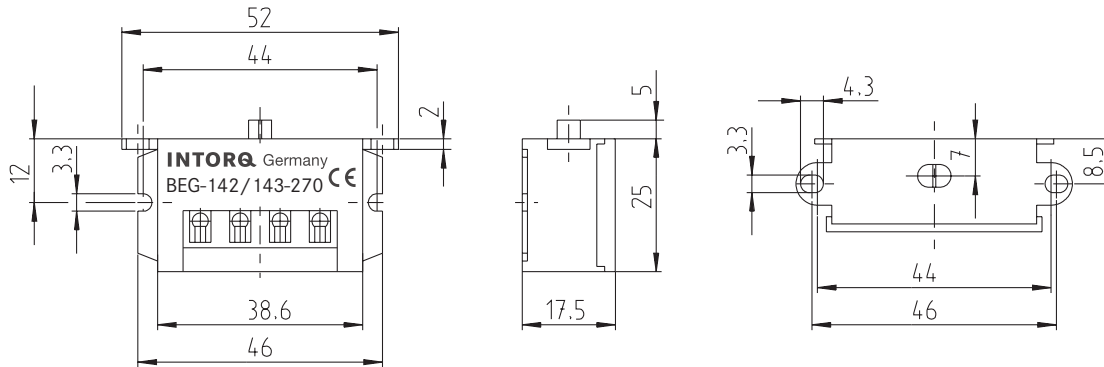


Accessories

4-pole bridge rectifier and 4-pole half-wave rectifier

Dimensions

BEG-142/143-270
BEG-242/243-555



4-pole bridge rectifier

BEG-142-270
BEG-143-270

4-pole half-wave rectifier

BEG-242-555
BEG-243-555

Application area

Current supply for spring-applied brakes from AC mains (normal excitation).

Example: 205 V coil on 230 V mains

Application area

Current supply for spring-applied brakes from AC mains (normal excitation).

Example: 180 V coil on 400 V mains

Technical data

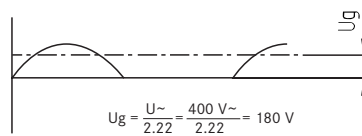
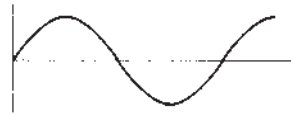
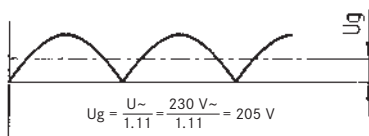
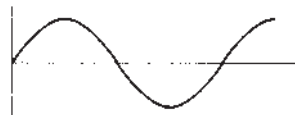
Max. mains voltage	270 V~
Max. DC current at 60°C	1.0 A
Max. ambient temperature	80°C

Technical data

Max. mains voltage	555 V~
Max. DC current at 60°C	1.0 A
Max. ambient temperature	80°C

The rectifiers are protected against overvoltage by input and output varistors.

The rectifiers are protected against overvoltage by input and output varistors.

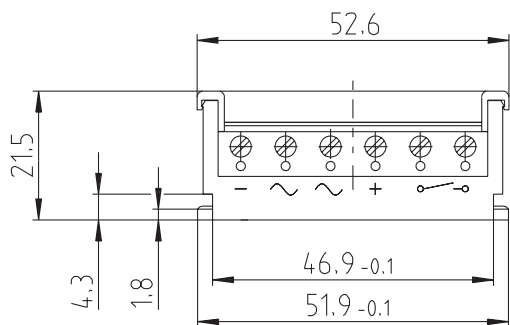


Accessories

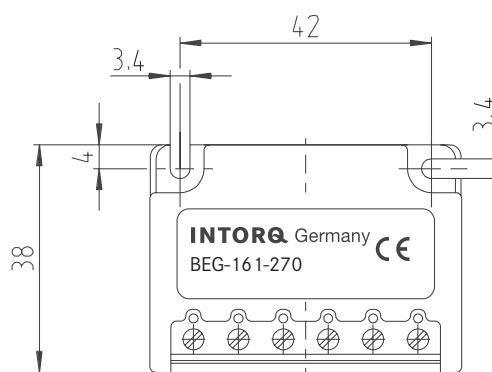
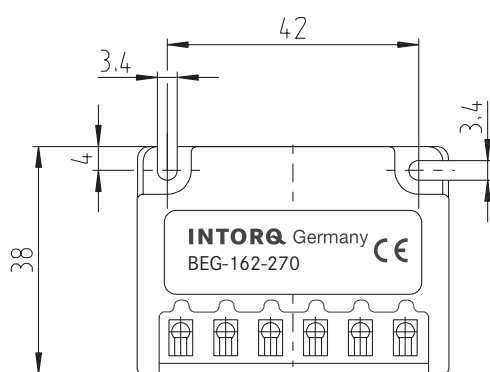
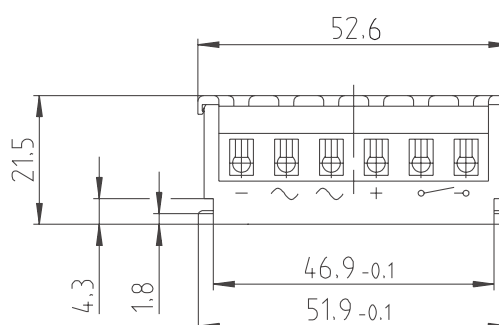
6-pole bridge rectifier

Dimensions

BEG-162-270



BEG-161-270



6-pole bridge rectifier

BEG-162-270

BEG-161-270

Application area

Current supply for spring-applied brakes from AC mains (normal excitation).

Example: 205 V coil on 230 V mains

Technical data

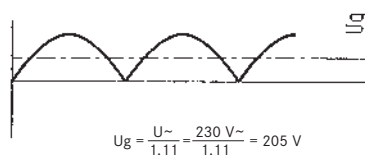
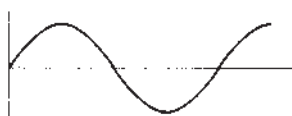
Max. mains voltage 270 V~

Max. DC current at 60°C 0.75 A

Max. ambient temperature 80°C

The rectifiers are protected against overvoltage by input and output varistors.

BEG-162-270/161-270/262-460/261-460 rectifiers also contain the spark suppressors required by VDE 0580 Section 26.

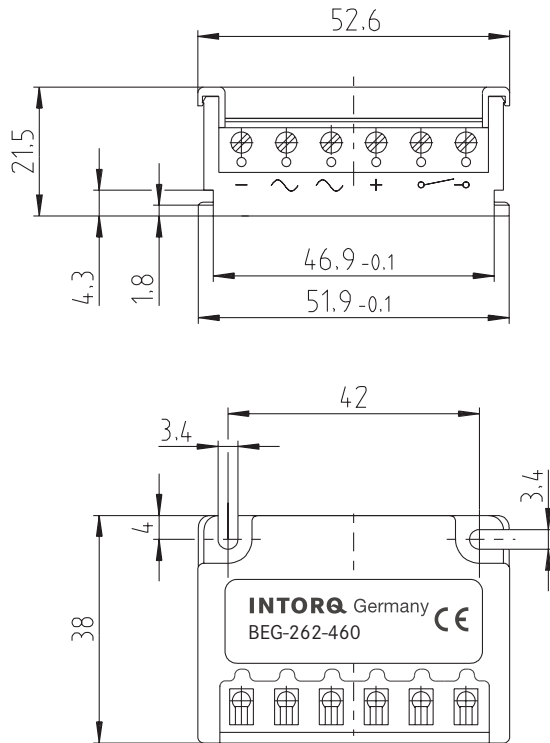


Accessories

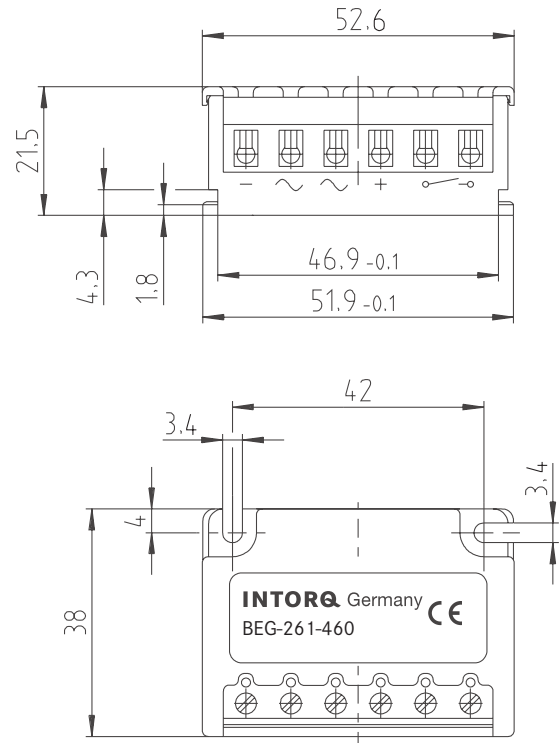
6-pole half-wave rectifier

Dimensions

BEG-262-460
BEG-262-555



BEG-261-460
BEG-261-555



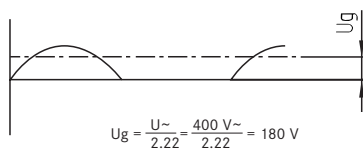
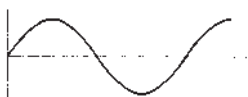
6-pole half-wave rectifier

BEG-262-460
BEG-261-460
BEG-262-555
BEG-261-555

Application area

Current supply for spring-applied brakes from AC mains (normal excitation).

Example: 180 V coil on 400 V mains



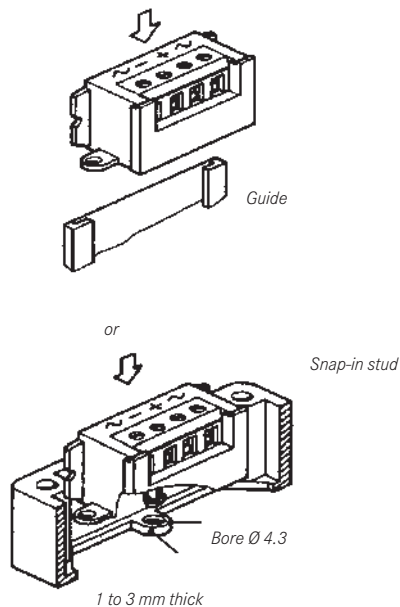
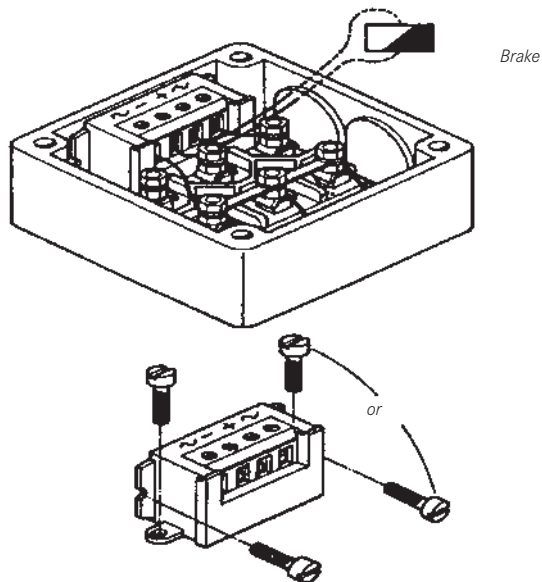
Technical data

Max. mains voltage	555 V _~ / 460 V _~
Max. DC current at 60°C	0.75 A
Max. ambient temperature	80°C

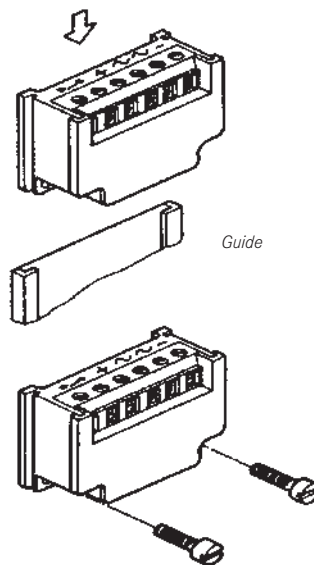
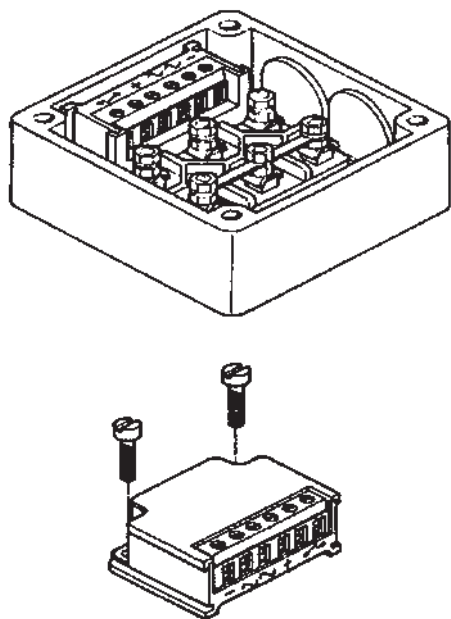
The rectifiers are protected against overvoltage by input and output varistors. BEG-162-270/161-270/262-460/261-460 rectifiers also contain the spark suppressor required by VDE 0580 Section 26.

Accessories

Fixing options 4-pole rectifier



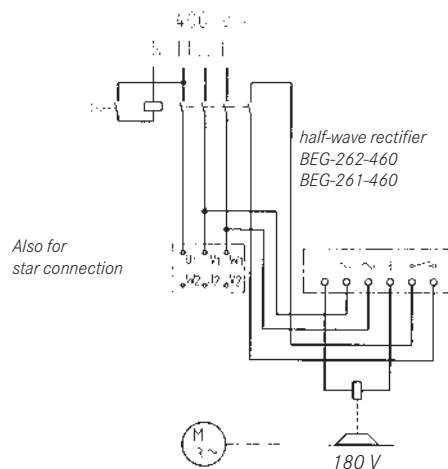
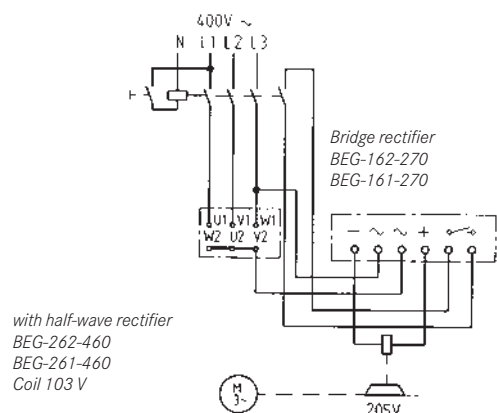
Fixing options 6-pole rectifier



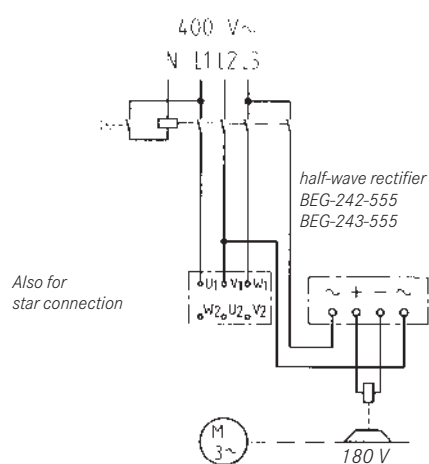
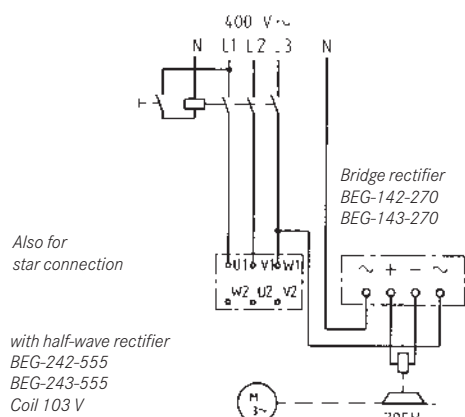
Accessories

Connection diagrams

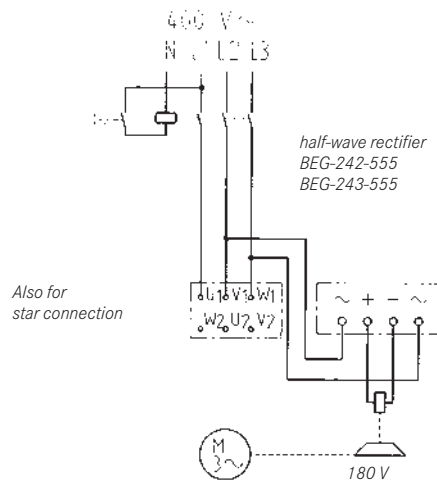
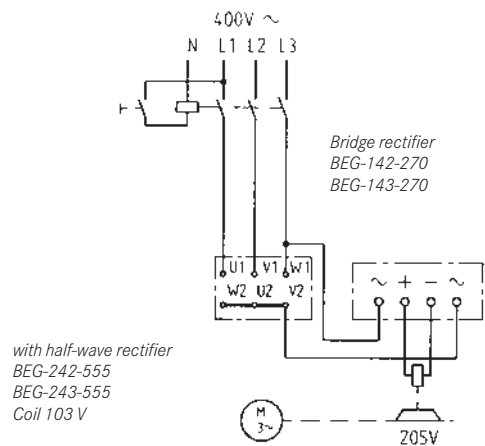
DC switching



AC switching



AC switching parallel to the motor



Accessories

Mains voltage selection table

Rectifier type and rated coil voltage for
mains voltage

AC voltage	Rectifier	Rectifier type	Spark suppressor	Rectifier type	Coil rated voltage
		4-pole		6-pole	
[V]		1 A at 60°C	INTORQ	0.75 A at 60°C	[V]
42 V	Half-wave	BEG-243/242-555	14.198.00.01	BEG-262/261-460	20 V
48 V	Bridge	BEG-142/143-270	14.198.00.01	BEG-162/161-270	42 V
	Half-wave	BEG-243/242-555	14.198.00.01	BEG-262/261-460	20 V
110 V	Bridge	BEG-142/143-270	14.198.00.02	BEG-162/161-270	103 V
220 V	Bridge	BEG-142/143-270	14.198.00.04	BEG-162/161-270	205 V
	Half-wave	BEG-243/242-555	14.198.00.02	BEG-262/261-460	103 V
230 V	Bridge	BEG-142/143-270	14.198.00.04	BEG-162/161-270	205 V
	Half-wave	BEG-243/242-555	14.198.00.02	BEG-262/261-460	103 V
240 V	Bridge	BEG-142/143-270	14.198.00.04	BEG-162/161-270	215 V
	Half-wave	BEG-243/242-555	14.198.00.02	BEG-262/261-460	103 V
255 V	Bridge	BEG-142/143-270	14.198.00.04	BEG-162/161-270	225 V
277 V	Half-wave	BEG-243/242-555	14.198.00.03	BEG-262/261-460	127 V
290 V	Half-wave	BEG-243/242-555	14.198.00.03	BEG-262/261-460	127 V
380 V	Half-wave	BEG-243/242-555	14.198.00.03	BEG-262/261-460	180 V
400 V	Half-wave	BEG-243/242-555	14.198.00.03	BEG-262/261-460	180 V
415 V	Half-wave	BEG-243/242-555	14.198.00.03	BEG-262/261-460	180 V
420 V	Half-wave	BEG-243/242-555	14.198.00.03	BEG-262/261-460	180 V
440 V	Half-wave	BEG-243/242-555	14.198.00.04	BEG-262/261-460	205 V
460 V	Half-wave	BEG-243/242-555	14.198.00.04	BEG-262/261-460	205 V
480 V	Half-wave	BEG-243/242-555	14.198.00.04	BEG-262/261-555*	215 V
500 V	Half-wave	BEG-243/242-555	14.198.00.04	BEG-262/261-555*	225 V
555 V	Half-wave	BEG-243/242-555	14.198.00.04	BEG-262/261-555*	250 V

* Spark suppressor without capacitor. For optimum interference suppression, we recommend the use of spark suppressor 14.198.00.04.

Max. rated coil voltage: 250 V

Standard coil rated voltages: 24, 96, 103, 170, 180, 190, 205 V

Dimensioning

Basic information

The size of a brake is largely determined by the required braking torque M_{erf} . The inertias to be braked (moments of inertia), the relative speeds, the braking times and the operating frequencies also have to be considered in the calculations. Marginal conditions, such as ambient temperature, air humidity, dust and mounting position should be known. In the event of extreme/critical operating conditions, please consult the manufacturer. Selection takes place in accordance with VDI rule 2241.

Friction surfaces must always be kept free of oil and grease.

For explanations of the terms used in the calculation, please refer to the list of abbreviations on page 5.

Safety factor

To ensure the necessary transmission security even under extreme operating conditions, the calculated braking torque is multiplied by safety factor K , which depends on the operating conditions.

$$K \geq 2$$

Load types

In practice, the following load types mainly occur:

$$M_{\text{erf}} = M_a \cdot K \leq M_K$$

$$M_a = \frac{J_L \cdot \Delta n_0}{9.55 \cdot \left(t_3 - \frac{t_{12}}{2} \right)}$$

$$M_{\text{erf}} = \frac{J_L \cdot \Delta n_0}{9.55 \cdot \left(t_3 - \frac{t_{12}}{2} \right)} \cdot K$$

Dynamic plus static load

Most applications belong to this category, as in most cases there is not only a static torque but also a dynamic load.

$$M_{\text{erf}} = (M_a \pm M_L) \cdot K \leq M_K$$

$$M_{\text{erf}} = \left(\frac{J_L \cdot \Delta n_0}{9.55 \cdot \left(t_3 - \frac{t_{12}}{2} \right)} \pm M_L \right) \cdot K \leq M_K$$

+ M_L = to be used when lowering a load, for example

- M_L = for normal braking

Approximate determination of the required braking torque and the size

If only the drive power to be transmitted is known, the required torque or braking torque can be determined as follows:

$$M_{\text{erf}} = 9550 \frac{P}{\Delta n_0} \cdot K \leq M_K$$

Thermal load

For high operating frequencies and friction energy/switching cycle, the brake should be subject to thermal checking. The friction energy per switching cycle is calculated as follows:

$$Q = \frac{J_L \cdot \Delta n_0^2}{182.5} \cdot \frac{M_K}{M_K \pm M_L}$$

- M_L = to be used when lowering a load, for example

+ M_L = for normal braking

The permissible friction energy per switching cycle at a given operating frequency can be taken from the diagrams on page 14. If the friction energy per switching cycle is known, the permissible operating frequency can be taken from the diagrams mentioned above.

Dimensioning

Calculation example

The following technical data is known:

$$P = 3 \text{ kW}$$

$$\Delta n_0 = 1450 \text{ rpm}$$

$$J_L = 0.52 \text{ kgm}^2 \text{ total}$$

$$t_3 = 2 \text{ s}$$

$$M_L = 15 \text{ Nm}$$

$$S_h = 6 \text{ operations/h}$$

Approximate determination of the required braking torque and the size:

$$M_{\text{erf}} = 9550 \frac{P}{\Delta n_0} \cdot K$$

$$M_{\text{erf}} = 9550 \frac{3}{1450} \cdot 2 = 40 \text{ N}$$

Assume INTORQ BFK458-14

Calculating the required braking torque

$$M_{\text{erf}} = \left(\frac{J_L \cdot \Delta n_0}{9.55 \cdot \left(t_3 - \frac{t_{12}}{2} \right)} - M_L \right) \cdot K$$

$t_{12} = 0.025 \text{ s}$ (see page 14)

$$M_{\text{erf}} = \left(\frac{0.52 \cdot 1450}{9.55 \cdot 2 - \frac{0.025}{2}} - 15 \right) \cdot 2 = 50 \text{ Nm}$$

Therefore, INTORQ BFK458-14 is chosen.

$$M_K = 60 \text{ Nm} > M_{\text{erf}} = 50 \text{ Nm}$$

Thermal checking

$$Q = \frac{J_L \cdot \Delta n_0^2}{182.5} \cdot \frac{M_K}{M_K \pm M_L}$$

$$Q = \frac{0.52 \cdot 1450^2}{182.5} \cdot \frac{60}{(60 + 15)} = 4792 \text{ J}$$

Calculated switching energy $Q = 4792 \text{ J}$ /switching cycle
The diagram on page 14 shows a permissible switching energy of 30,000 J for size 14 at $S_h = 6 \text{ h}^{-1}$.

$$Q = 4792 \text{ J} < Q_{\text{zul}} = 30000 \text{ J}$$

Therefore, the brake has been selected correctly.

Ordering example

Brake type INTORQ BFK458-14E or design N (with or without torque adjustment ring) is required, with additional manual release and seal.

Supply voltage 205 V = shaft diameter 25 mm.

INTORQ BFK458-14E, 205 V =, d = 25 mm

Order form

Accessories

- Rotor** Plastic (only for size 06/08) Aluminium Silenced (rotor with sleeve)
- Low wear rotor** Aluminium Silenced (rotor with sleeve)
- Hub** _____ mm (for bore diameter, see Dimensions)
- Fixing screw set** For mounting onto the flange
 For mounting onto the motor/friction plate
 For flange with through hole (up to and including size 16)
 For connection flange/double brake
- Manual release** as mounting kit
- Terminal box** as mounting kit
- Flange** Friction plate (up to and including size 16)
 Flange
 Tachometer flange
 Connection flange double brake
- Sealing** Seal
 Shaft sealing ring (shaft diameter on request)
 Cap
 Brake cover

Electrical accessories

- Bridge rectifier** 4-pole without snap-in stud
 4-pole with snap-in stud
 6-pole vertical, integrated spark suppressor
 6-pole horizontal, integrated spark suppressor
- Half-wave rectifier** 4-pole without snap-in stud
 4-pole with snap-in stud
 6-pole vertical, integrated spark suppressor
 6-pole horizontal, integrated spark suppressor
- Spark suppressor**



INTORQ – Sales and Service around the world

INTORQ customers can reach us at any time and from anywhere in the world. Our Key Account Sales Team looks after key account customers and project business.

In addition, we co-operate with Lenze's global sales organisation. You can contact us via Lenze Service by calling the 24-hour helpline (008000 24 46177).

INTORQ GmbH & Co. KG

PO Box 1103
D-31849 Aerzen, Germany

Wülmser Weg 5
D-31855 Aerzen, Germany

Tel.: +49 (0) 5154 95 39 01

Fax: +49 (0) 5154 95 39 10

E-mail: info@intorq.de

www.intorq.de

INTORQ

setting the standard

www.intorq.de